

powermaster

CSWI

The CSWI Operator controls industrial vehicular swinging gates up to 1800 pounds, with a maximum width of 30 feet.

STANDARD FEATURES

- SOLID STATE CONTROL BOARD WITH DIAGNOSTIC LEDs
- EASY SET LIMITS
- TIMER TO CLOSE
- MASTER/SLAVE OPTION
- LEFT/RIGHT CHANGEVER IN FIELD
- PAD MOUNTABLE FOR A STRONG, SOLID INSTALLATION

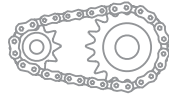


*Complete selection of control stations
& accessories are available.*

All gate operators must have contact and non-contact sensing system installed for operator to work properly and safely.

 [Facebook.com/PowerMasterOperators](https://www.facebook.com/PowerMasterOperators)

www.PowerMasterNY.com
SERVICING THE INDUSTRY SINCE 1969



SPECIFICATIONS & FEATURES

AVAILABLE HORSE POWER: 1/2 HP - 2 HP

POWER OPTIONS: 115/230V, 1 PHASE; OR 230/460V, 3 PHASE

CLASS II LOW VOLTAGE CONTROL CIRCUIT

GATE CAPACITY: 1800 LBS, 30 FT WIDE, UP TO 45 CYCLES PER HOUR

TRAVEL SPEED: 18 SECONDS TO FULL OPEN OR FULL CLOSE

HEAVY DUTY #7 GA. STEEL FRAME

HARD SHELL, BAKED-ON, WEATHER RESISTANT POWDER COATING

NEMA 1 THREE-BUTTON CONTROL STATION INCLUDED

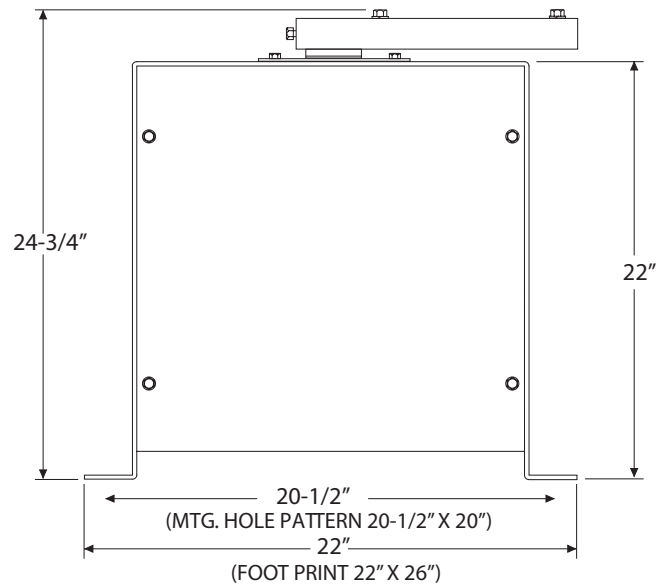
60:1 GEAR REDUCER FOR DEPENDABLE OPERATION

DRIVE ARM EASILY DISCONNECTED FOR MANUAL OPERATION IN CASE OF POWER FAILURE

PAD-MOUNTABLE FOR A STRONG, SOLID INSTALLATION

UL 325 LISTED FOR USE IN CLASS I THROUGH IV APPLICATION

SHIPPING WEIGHT: APPROX. 350 LBS (INCLUDES PALLET)



OPTIONAL EQUIPMENT

- RADIO CONTROL
- ADDITIONAL SAFETY EDGE (CONTACT SAFETY SENSOR)
- ADDITIONAL PHOTO CELL (NON-CONTACT SAFETY SENSOR)
- LOOP DETECTORS
- CARD KEY READER
- THERMOSTATICALLY CONTROLLED COOLING FAN FOR HOT CLIMATES
- GEAR BOX HEATER FOR COLD CLIMATES
- 18" RISER



CAUTION

A moving gate can cause serious injury or death! Carefully read and follow all safety instructions, precautions, and guidelines when installing and using this product. Motorized gates are for vehicles only. Pedestrians must use a separate entrance. **NO ONE SHOULD CROSS THE PATH OF A MOVING GATE!** Proper reversing devices must be installed on gates to avoid all hazards, pinch points and entrapment. Eliminate all hazards, pinch points and entrapment areas. Warning signs must be permanently installed and visible to traffic and pedestrians. Do not mount operating devices accessible through gates or between a gate and wall. Never allow children to lay in the path of a gate. Never allow children to operate or play with the gate controls. Follow UL 325 and ASTM F220-02 standards. Do not install this product unless all hazards, pinch points and entrapment points are protected.

