

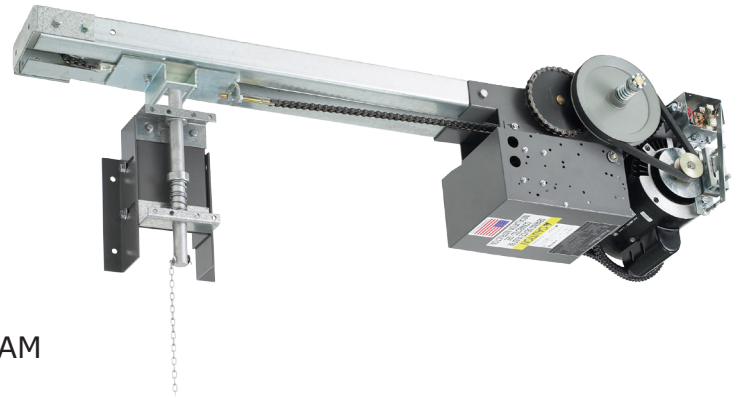
SL

Slide Door Operator designed for use on Sliding Doors.

SL

STANDARD FEATURES

- HIGH STARTING TORQUE MOTOR WITH FULL OVERLOAD PROTECTION
- SOLID STATE CIRCUITRY WITH FEEDBACK LEDS
- ONBOARD OPEN/CLOSE/STOP BUTTONS FOR SERVICE AND ADJUSTMENTS
- AUTO-DETECT MONITORED PHOTO BEAM
- DRAWBAR DISCONNECT FOR MANUAL OPERATION
- HEAVY DUTY V-BELT AND CHAIN REDUCTION, MECHANICALLY SELF LOCKING

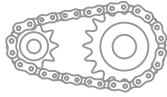


*Complete selection of control stations
& accessories are available.*

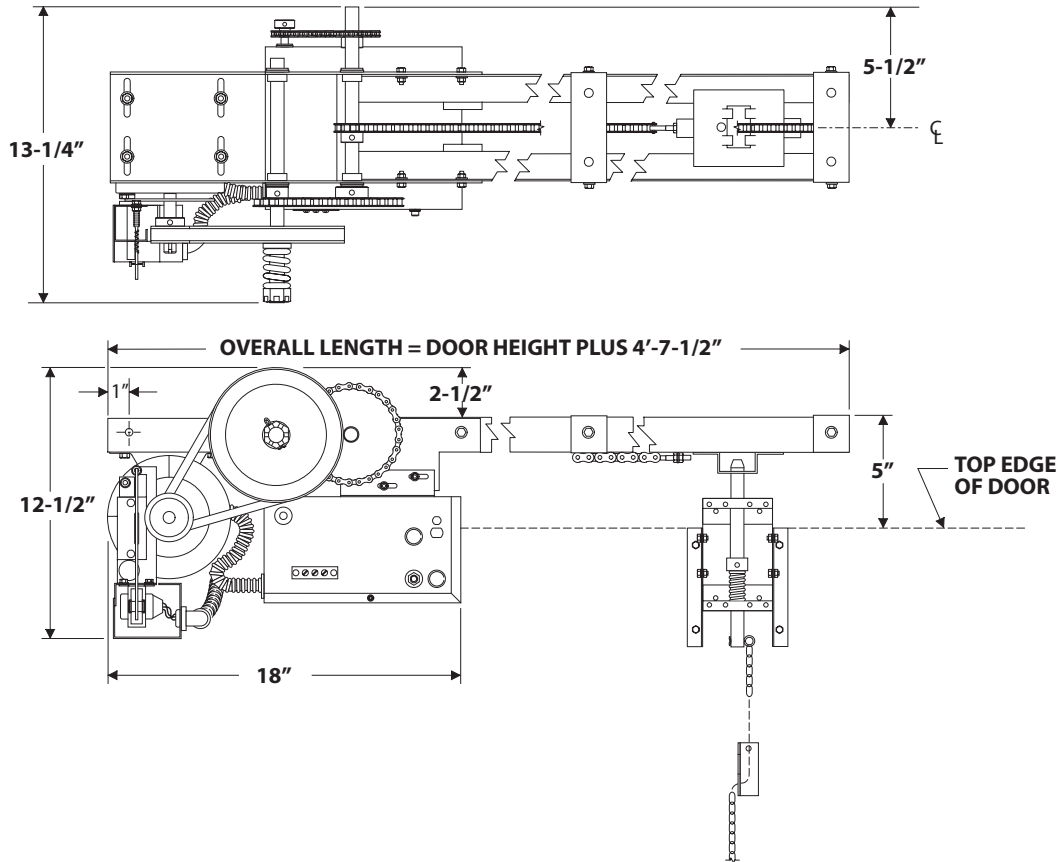
All door operators are required to have a monitored safety system, such as monitored photo eyes and/or monitored 2 or 4 wire obstruction sensing edge. In addition, an ancillary device may be used. The primary device must be a constantly monitored, anti entrapment/safety device.



Facebook.com/PowerMasterOperators



SPECIFICATIONS & FEATURES



AVAILABLE HORSEPOWER: 1/2 HP - 1 HP

POWER OPTIONS: 115/230 VOLTS, 1 PHASE; OR 208/230/460 VOLTS, 3 PHASE

SELECTABLE OPERATING MODES B2, C2, D1, E2, T, TS

FIELD ADJUSTABLE BUILT IN FUNCTIONS INCLUDING: TIMER TO CLOSE, MID-STOP, DELAY ON REVERSE, LOCK BAR SENSING, MAXIMUM RUN TIME, ETC.

POSITIVE CHAIN DRIVEN ROTARY LIMIT SWITCHES

HEAVY DUTY #41 ROLLER CHAIN AND DRIVEN SPROCKET FOR FINAL DRIVE INCLUDED

ADJUSTABLE TORQUE LIMITING CLUTCH

BAKED ON, BLACK POWDER COAT FINISH

SHIPPING WEIGHT: APPROX. 120 LBS (WITHOUT TRACK)

CAUTION

A moving door can cause serious injury or death! Carefully read and follow all safety instructions, precautions, and guidelines when installing and using this product. Motorized doors are for vehicles only. Pedestrians must use a separate entrance. **NO ONE SHOULD CROSS THE PATH OF A MOVING DOOR!** Proper reversing devices must be installed to avoid all hazards and entrapment. Eliminate all hazards and entrapment areas. Warning signs must be permanently installed and visible to traffic and pedestrians. Never allow children to operate or play with controls. Follow UL 325 and ASTM F220-02 standards. Do not install this product unless all hazards and entrapment points are protected.

