

powermaster

EMG

Hazardous Duty, Gear Reduced Hoist Operator for Sectional Doors with High Lift or Vertical Lift and Rolling Service Doors & Grilles in NEMA 7&9 Hazardous Locations.

STANDARD FEATURES

- HIGH STARTING TORQUE EXPLOSION PROOF MOTOR WITH FULL OVERLOAD PROTECTION
- HEAVY DUTY FULL VOLTAGE REVERSING CONTACTOR
- 3 BUTTON NEMA 7&9 CONTROL STATION INCLUDED
- PRE-WIRED FOR 3-BUTTON STATION, 1-BUTTON STATION, INTRINSICALLY SAFE AUTOMATIC REVERSING EQUIPMENT
- FLOOR LEVEL DISCONNECT WITH CHAIN HOIST ASSEMBLY AND ELECTRICAL INTERLOCK FOR MANUAL OPERATION



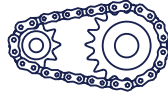
*Complete selection of control stations
& accessories are available.*

All door operators are required to have a monitored safety system, such as monitored photo eyes and/or monitored 2 or 4 wire obstruction sensing edge. In addition, an ancillary device may be used. The primary device must be a constantly monitored, anti entrapment/safety device.

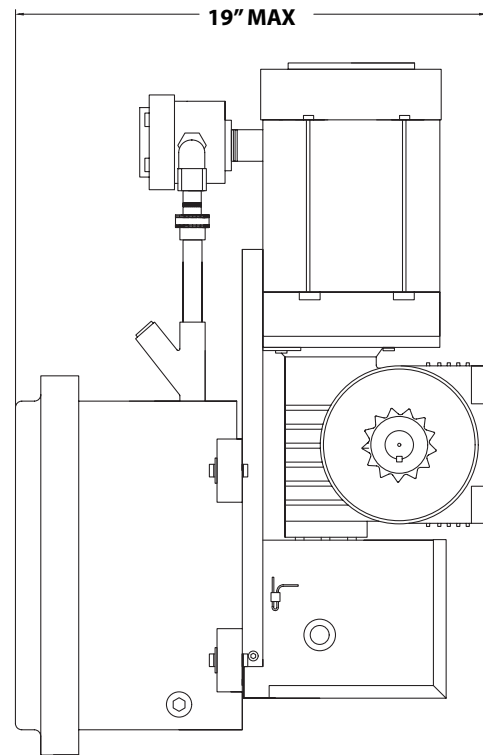
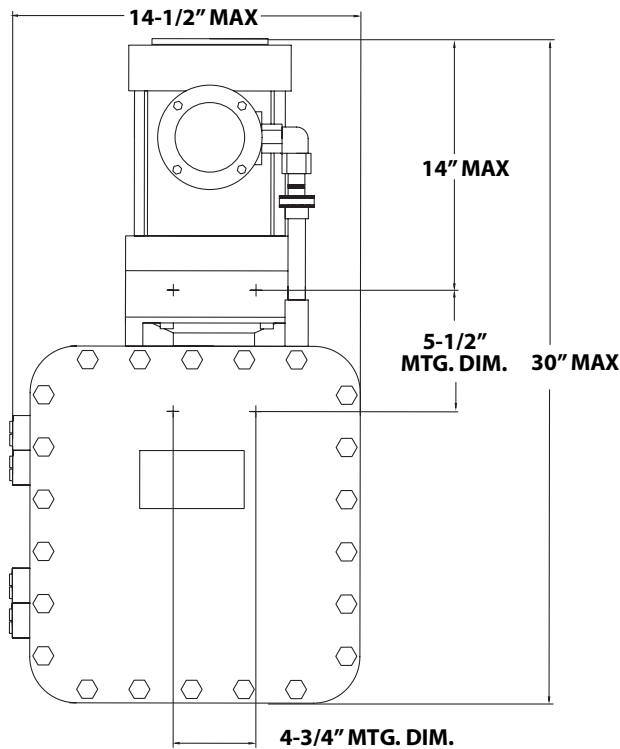
www.PowerMasterNY.com

[Facebook.com/PowerMasterOperators](https://www.facebook.com/PowerMasterOperators)

SERVICING THE INDUSTRY SINCE 1969



SPECIFICATIONS & FEATURES



AVAILABLE HORSE POWER: 1/2 HP - 2 HP

POWER REQUIREMENTS: 115/230V 1 PH OR
208/230/460V 3 PH

SELECTABLE OPERATING MODES B2, C2, D1, E2, T, TS

FIELD ADJUSTABLE BUILT IN FUNCTIONS INCLUDING:
TIMER TO CLOSE, MID-STOP, DELAY ON REVERSE,
LOCK BAR SENSING, MAXIMUM RUN TIME, ETC.

DYNAMIC BRAKE

HEAVY DUTY #50 ROLLER CHAIN AND DRIVE
SPROCKET INCLUDED

MECHANICALLY SELF LOCKING GEAR REDUCER
(OIL BATH TYPE)

BAKED ON, BLACK POWDER COAT FINISH

SHIPPING WEIGHT: APPROX. 182 LBS

CAUTION

A moving door can cause serious injury or death! Carefully read and follow all safety instructions, precautions, and guidelines when installing and using this product. Motorized doors are for vehicles only. Pedestrians must use a separate entrance. **NO ONE SHOULD CROSS THE PATH OF A MOVING DOOR!** Proper reversing devices must be installed to avoid all hazards and entrapment. Eliminate all hazards and entrapment areas. Warning signs must be permanently installed and visible to traffic and pedestrians. Never allow children to operate or play with controls. Follow UL 325 and ASTM F220-02 standards. Do not install this product unless all hazards and entrapment points are protected.

