

# powermaster

## CH

**Belt Driven, NEMA 4 Hoist Operator for Carwash Applications. For use on Sectional Doors with Standard Lift, High Lift, or Vertical Lift, as well as Rolling Service Doors and Grilles.**

### STANDARD FEATURES

- HIGH-STARTING TORQUE TEFC MOTOR WITH FULL OVERLOAD PROTECTION - REMOVABLE WITHOUT AFFECTING LIMIT SWITCH SETTING
- SOLID STATE CIRCUITRY WITH FEEDBACK LEDS
- ONBOARD OPEN/CLOSE/STOP BUTTONS FOR SERVICE AND ADJUSTMENTS
- FIELD ADJUSTABLE BUILT-IN FUNCTIONS
- AUTO-DETECT MONITORED PHOTO BEAM
- FLOOR LEVEL DISCONNECT W/CHAIN HOIST ASSEMBLY FOR MANUAL OPERATION



*Complete selection of control stations & accessories are available.*

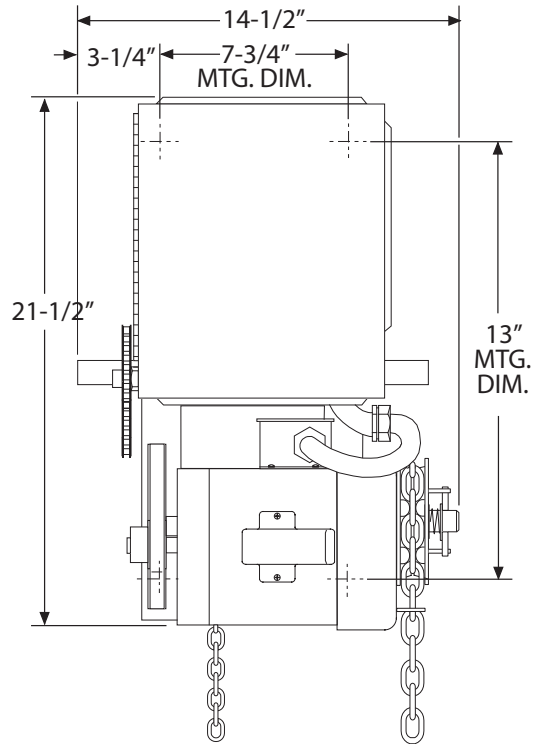
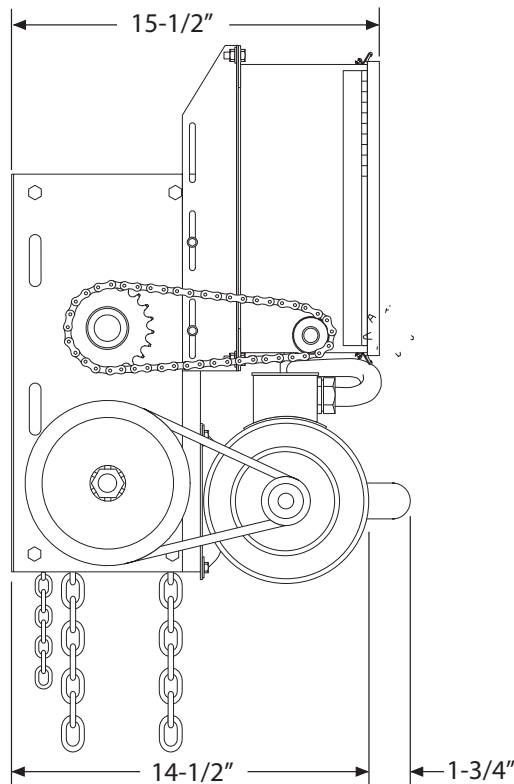
All door operators are required to have a monitored safety system, such as monitored photo eyes and/or monitored 2 or 4 wire obstruction sensing edge. In addition, an ancillary device may be used. The primary device must be a constantly monitored, anti entrapment/safety device.



Facebook.com/PowerMasterOperators

**www.PowerMasterNY.com**  
**SERVICING THE INDUSTRY SINCE 1969**

## SPECIFICATIONS & FEATURES



**AVAILABLE HORSE POWER:** 1/2 HP - 1 HP

**POWER OPTIONS:** 115/230 VOLTS, 1 PHASE; OR 208/230/460 VOLTS, 3 PHASE

SELECTABLE OPERATING MODES B2, C2, D1, E2, T, TS

FIELD ADJUSTABLE BUILT IN FUNCTIONS INCLUDING: TIMER TO CLOSE, MID-STOP, DELAY ON REVERSE, LOCK BAR SENSING, MAXIMUM RUN TIME, ETC.

HEAVY DUTY V-BELT AND CHAIN REDUCTION, MECHANICALLY SELF LOCKING

HEAVY DUTY #50, CORROSION RESISTANT ROLLER CHAIN AND DRIVE SPROCKET INCLUDED

ADJUSTABLE TORQUE LIMITING CLUTCH

BAKED ON, BLACK POWDER COAT FINISH

**SHIPPING WEIGHT:** APPROX. 111 LBS

## CAUTION

A moving door can cause serious injury or death! Carefully read and follow all safety instructions, precautions, and guidelines when installing and using this product. Motorized doors are for vehicles only. Pedestrians must use a separate entrance. **NO ONE SHOULD CROSS THE PATH OF A MOVING DOOR!** Proper reversing devices must be installed to avoid all hazards and entrapment. Eliminate all hazards and entrapment areas. Warning signs must be permanently installed and visible to traffic and pedestrians. Never allow children to operate or play with controls. Follow UL 325 and ASTM F220-02 standards. Do not install this product unless all hazards and entrapment points are protected.

